

CONVECTION FIREPLACE INSERTS

SYSTEM MAXVISION

TRINITY

Join the group of those *who choose well.*

Hitze is a modern brand of ecological fireplace inserts and free-standing stoves. We have **specialized in wood-fired appliances** for over **20 years**. Our headquarters and the entire production are located in Poland, but our representatives can be found in over **35 countries** in Europe, Africa and Asia.

The dynamic development over the last 5 years has strengthened our position in the segment of high-quality products while maintaining **competitive prices**.

TRINITY MAXVISION SYSTEM

3
models

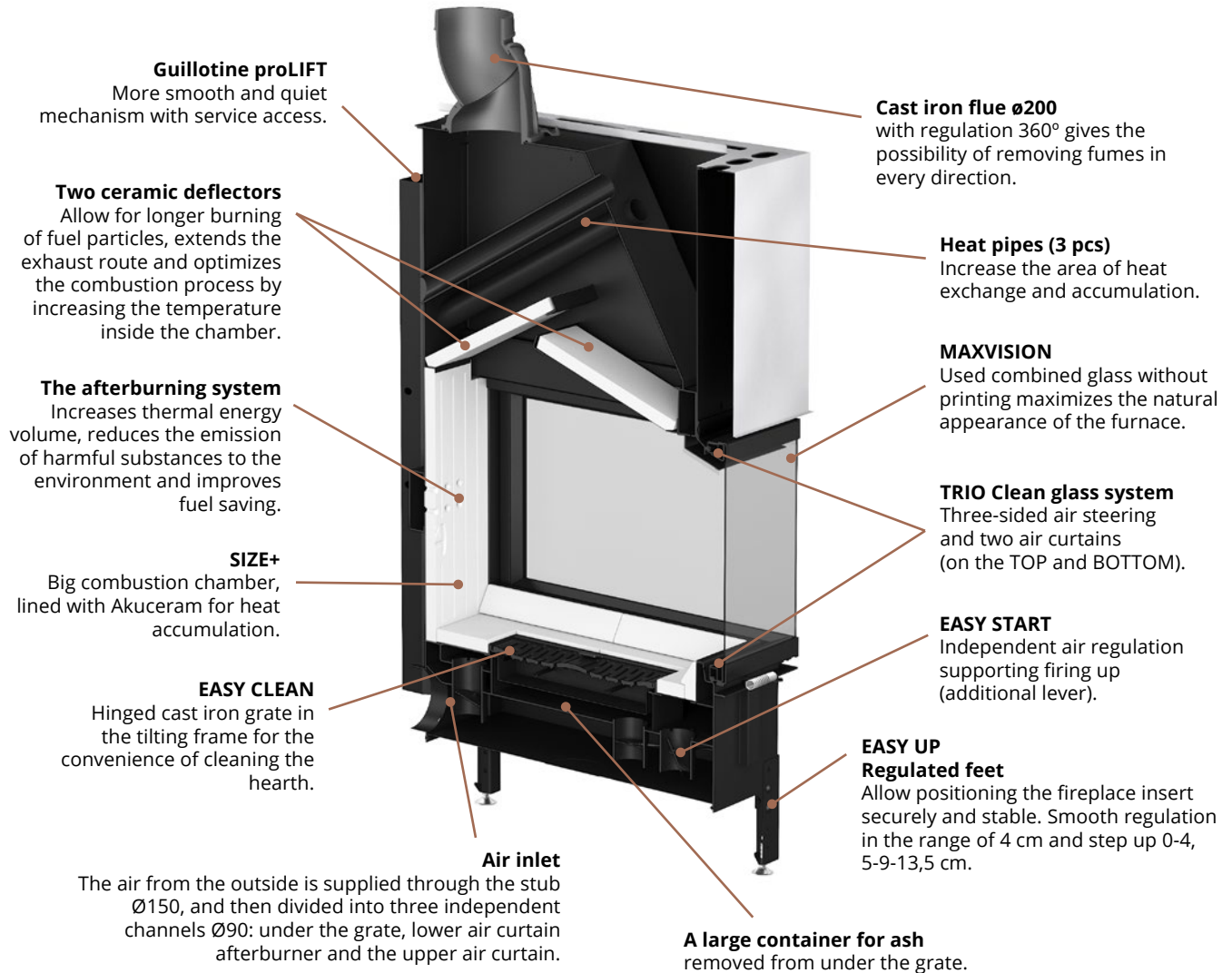
5 kW

ADJUSTABLE POWER RANGE

15,5 kW

TRINITY LINE are the first fireplaces in our offer with **a three-sided vision of fire**. They are available in three shapes of the hearth. The effective tripartite insert suits to modern design with maximum vision of fire. The constructors minimized the number of steel elements of the front and door while maintaining **durability and tightness of the insert**. In addition, the use of unprinted glazed panels maximizes the **natural appearance of the fireplace**. The use of a new mechanism for opening the furnace - a guillotine with service access - ensures tightness of the insert and **increases safety** against opening by children. The construction of the insert eliminates the exhaust fumes returning to the room when opening the door.

TECHNICAL SOLUTIONS



ADVANTAGES OF THE TRINITY INSERTS

Complete your home with *unique atmosphere and the therapeutic effects of natural fire*. Three-sided glazing offers triple magic of the flames in a size larger than the market standard.



Any cleaning work is possible thanks to the additional side glazing opening mode. *Easily and without any tools* you have access to clean the glass from the inside.

The tilting grate is an innovation appreciated by most of the customers. A proven and convenient ash removal solution means *a convenience during the regular use* of the fireplace.



Guillotine door opening is a standard, but in three-sided fireplaces its design is *crucial for failure-free operation*. Solid steel frames and a gravity internal mechanism guarantee the joy of the fireplace for years.

The obvious advantage of a fireplace insert over an open hearth is the *ability to precisely regulate* the fire while burning. Three levers allow you to control the cleanliness of the windows, the speed of combustion and the size of the flames.



Reaching high temperatures in the combustion chamber translates into *low exhaust emissions*. Two massive Aku-ceram deflectors are a barrier that effectively accumulates high temperatures and burns the exhaust gases out before they reach the chimney.

AVAILABLE MODELS



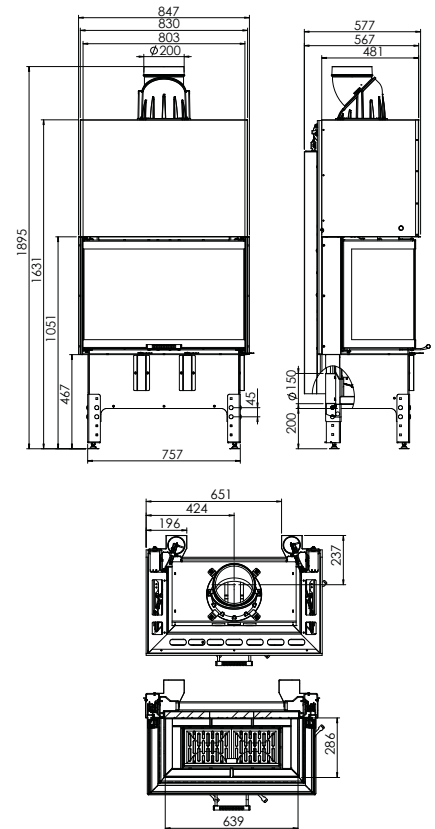
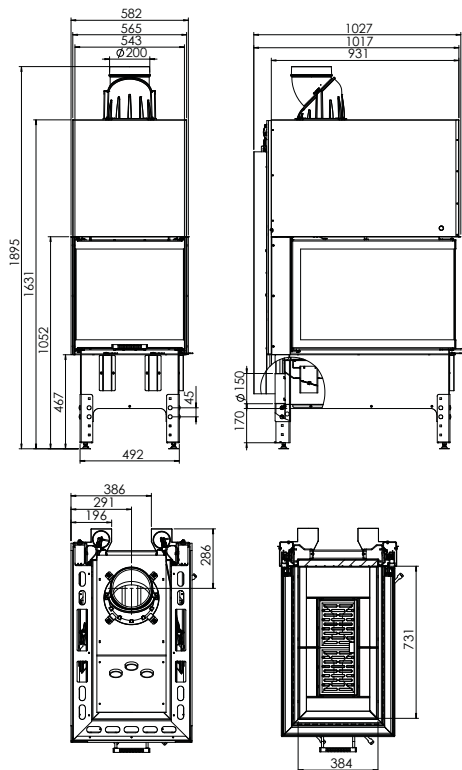
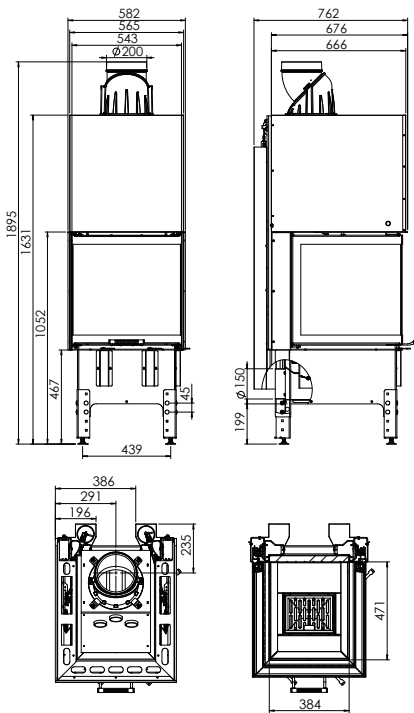
Trinity 54x54x53.G



Trinity 54x80x53.G



Trinity 80x35x53.G



PARAMETERS

		Model Q TRI54x54x53.G	Model U TRI54x80x53.G	Model C TRI80x35x53.G
Nominal power	kW	10	12	12
Heating load range	kW	5,0 - 13,0	6 - 15,5	6 - 15,5
Thermal efficiency	%	77	78	78
CO emission (at 13% O ₂)	g/m ³	1,185	1,133	0,792
CO emission (at 13%O ₂) (%)	%	0,0948	0,0907	0,0619
Dust emission (at 13%O ₂)	g/m ³	0,035	0,038	0,035
Average fuel consumption	kg/h	2,8	3,7	3,3
Glass dimensions	mm	540 x 540 x 530	540 x 800 x 530	800 x 350 x 530
External dimensions	mm	582 x 1895 x 762	582 x 1895 x 1027	847 x 1895 x 577
Diameter of the flue	mm	200	200	200
Inlet diameter	mm	150	150	150
Maximum log length	mm	400	400	500
Weight	kg	305	354	310
Exhaust gas temperature	°C	205	239	222
Effectiveness Coefficient		102	103	103
Energy class		A	A	A

INSTALLATION ACCESSORIES:

CHANGABLE HANDLE



INOX VENT G

BLACK VENT G

BLACK MINIMAL G

BLACK AKUCERAM



GLASS BASES



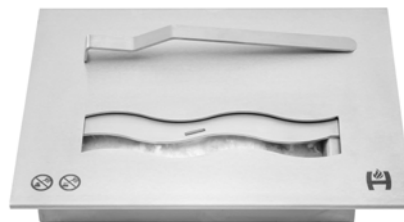
BASE 01

Dimensions (mm): 515x350
Material: tempered glass

BASE 02

Dimensions (mm): 1067x1260
Material: tempered glass

BIO-INSERT



Model U, C

WBN-02
Capacity: 1L

Model Q


WBN-03
Capacity: 1,6L

HITZE

FIREPLACES
for recuperation



www.hitze.pl


 HITZE Natural Heating

 HITZE_Natural_Heating

 HITZE Natural Heating

STALKO
spółka z ograniczoną odpowiedzialnością
spółka komandytowa
ul. Solec 24/253
00-403 Warszawa, Poland

Office:
Gdyńska 32
26-600 Radom
Poland

 +48 48 380 18 98
+48 800 88 00 30

 handlowy@hitze.stalko.com
export@hitze.stalko.com

NIP 9482603545
REGON 361379132
Reg. No. 0000836475

RAL colours presented on product visualisations are for reference only and their shades may slightly differ from the real colour.

The company reserves the right to introduce changes in the technical parameters, equipment and specifications of the offered products. The information in the catalog is for information purposes only and does not constitute an offer within the meaning of the Civil Code.