

# CONVECTION FIREPLACE INSERTS

---

SYSTEM CUSTOM

# ALBERO

# Join the group of those *who chose well.*

---

Hitze is a modern brand of ecological fireplace inserts and free-standing stoves. We have specialized in **wood-fired appliances** for over 20 years. Our headquarters and the entire production are located in Poland, but our representatives can be found in over **35 countries** in Europe, Africa and Asia.

The dynamic development over the last 5 years has strengthened our position in the segment of high-quality products while maintaining **competitive prices**.

## **ALBERO** SYSTEM CUSTOM

---

**34**  
models

4,5 kW

ADJUSTABLE POWER RANGE

32,5kW

**ALBERO line** stands out by its light, modern form which integrates into every living space and usable floor space very well. It consists of **six fireplace series** differing in their heating power (9, 11, 14, 16, 19 and 25 kW), the vision of fire (straight or corner) and the way of the door opening (lifted up „guillotine” type or traditionally opened to the side).

Fireplace inserts are equipped with an air inlet with a regulated throttle and special feet allowing for optimum leveling. The inside of the fireplace is lined with a special ceramic concrete insert. It accumulates warmth in the combustion chamber and is resistant to the temperature up to 1000°C. Air curtain reduces the deposition of soot on a ceramic glass pane and the after-burning system reduces the emission of harmful substances to the environment and improves fuel saving. **A specially designed ventilated handle** construction ensures the comfort of use, and steel door made of a profile of increased rigidity which guarantees tightness and strength.



### Air curtain and air steering

Reduces soot deposition on a fireplace glass pane ensuring „clean glass“ effect.

### Classic hexagonal combustion chamber

Smaller size of the burner transforms itself into higher combustion temperature  
\*An exception is AL120x43 as a no-grate burner.

### Steel door

Made of a profile of increased rigidity which guarantees door tightness and strength.

### Heat-resistant ceramic glass

DECOR glass resistant to the working temperature up to 800°C, optional available double glass system.

### Air inlet ø125 / 150 mm

The throttle regulates smooth airflow inside the fireplace (1 adjustment lever).



### Flue ø180 / 200 / 220 / 250 mm

Guarantees tight connection of the fireplace to the chimney duct and ensures proper burning in the fireplace as well as increases the area of heat exchange.

### Heat pipes

Increase the area of heat exchange and accumulation (from 3 to 6 pcs depending on the model).

### Ceramic deflector

Optimizes burning process due to the increase of temperature inside the chamber.

### The afterburning system

Increases thermal energy volume, reduces the emission of harmful substances to the environment and improves fuel saving.

### Ceramic concrete insert

Accumulates warmth and is resistant to the temperature even up to 1000°C.

### Grate and ash box

Makes ash removal easier and gathers burnt wood residues.\*  
\*An exception is AL120x43 as a no-grate burner.

### Regulated feet in the range of 4 cm

Allow positioning the fireplace insert securely and stably even on the unstable surface.

ADDITIONAL OPTION:  
raising feet in the height of +10 cm with adjustment +/- from 3 to 5 cm.






# ALBERO 9

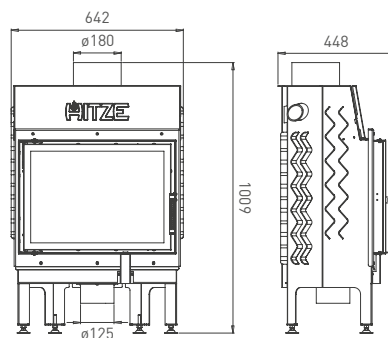
SYSTEM CUSTOM



## Albero AL9S.H






standard horizontal

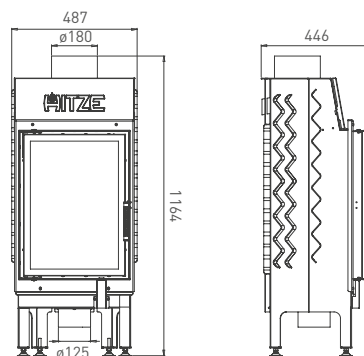
-  9,0 kW
-  4,5 - 12,0 kW
-  78 %
-  360-590 cm<sup>2</sup>
-  630-720 cm<sup>2</sup>



## Albero AL9S.V






standard vertical

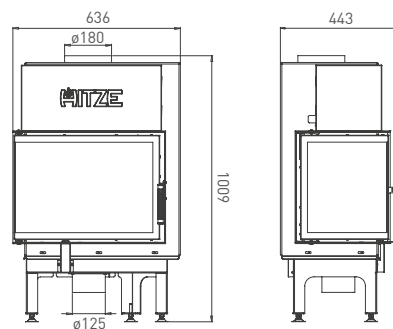
-  9,0 kW
-  4,5 - 12,0 kW
-  78 %
-  360-590 cm<sup>2</sup>
-  630-720 cm<sup>2</sup>



## Albero AL9L.H






left horizontal

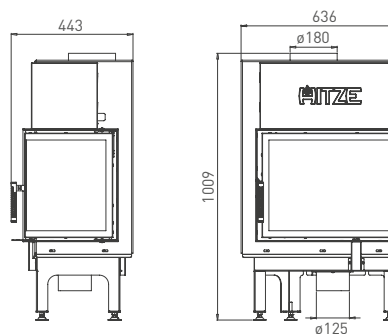
-  9,0 kW
-  4,5 - 12,0 kW
-  78 %
-  360-590 cm<sup>2</sup>
-  630-720 cm<sup>2</sup>



## Albero AL9R.H

right horizontal






-  9,0 kW
-  4,5 - 12,0 kW
-  78%
-  360-590 cm<sup>2</sup>
-  630-720 cm<sup>2</sup>

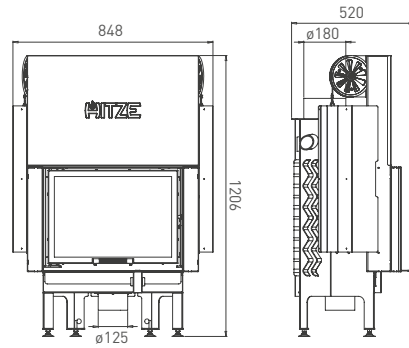




### Albero AL9G.H






guillotine horizontal

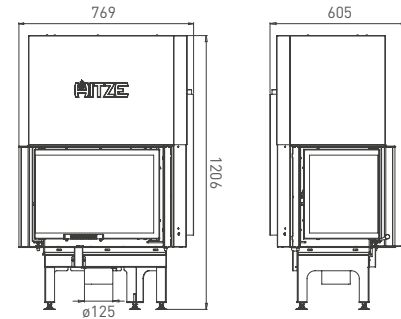
-  9,0 kW
-  4,5 - 12,0 kW
-  78 %
-  360-590 cm<sup>2</sup>
-  630-720 cm<sup>2</sup>



### Albero AL9LG.H






left guillotine horizontal

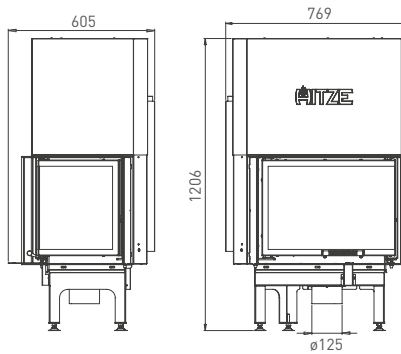
-  9,0 kW
-  4,5 - 12,0 kW
-  78 %
-  360-590 cm<sup>2</sup>
-  630-720 cm<sup>2</sup>



### Albero AL9RG.H

right guillotine horizontal

-  9,0 kW
-  4,5 - 12,0 kW
-  78%
-  360-590 cm<sup>2</sup>
-  630-720 cm<sup>2</sup>





# ALBERO 11

SYSTEM CUSTOM

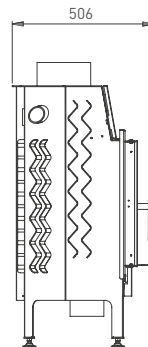
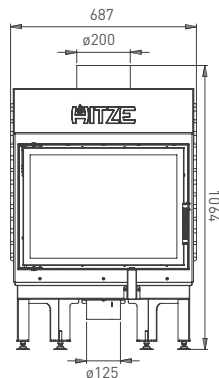


## Albero AL11S.H

standard horizontal

- 11,0 kW
- 5,5 - 14,0 kW
- 83 %
- 440-720 cm<sup>2</sup>
- 770-880 cm<sup>2</sup>

**A+**

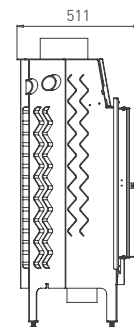
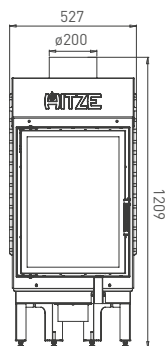


## Albero AL11S.V

standard vertical

- 11,0 kW
- 5,5 - 14,0 kW
- 84 %
- 440-720 cm<sup>2</sup>
- 770-880 cm<sup>2</sup>

**A+**

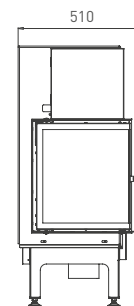
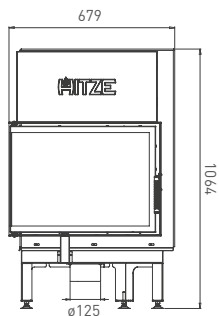


## Albero AL11L.H

left horizontal

- 11,0 kW
- 5,5 - 14,0 kW
- 83 %
- 440-720 cm<sup>2</sup>
- 770-880 cm<sup>2</sup>

**A+**

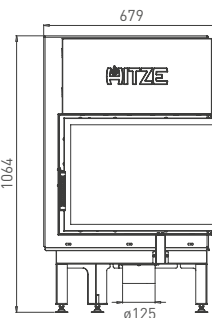
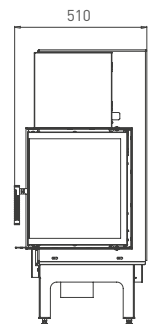


## Albero AL11R.H

right horizontal

- 11,0 kW
- 5,5 - 14,0 kW
- 83 %
- 440-720 cm<sup>2</sup>
- 770-880 cm<sup>2</sup>






**A+**



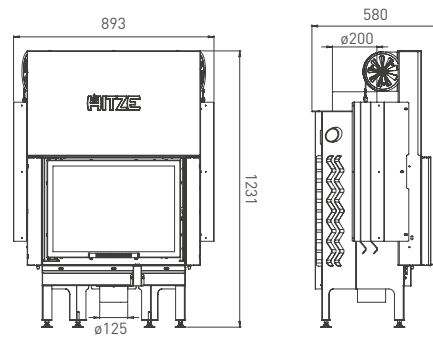


### Albero AL11G.H

guillotine horizontal






-  11,0 kW
-  5,5 - 14,0 kW
-  83 %
-  440-720 cm<sup>2</sup>
-  770-880 cm<sup>2</sup>

**A<sup>+</sup>**

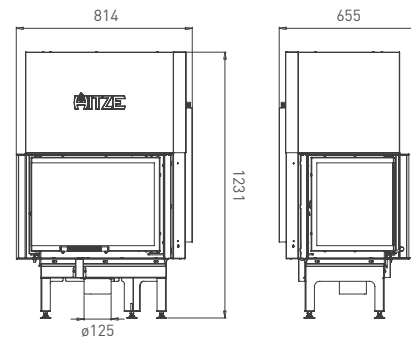


### Albero AL11LG.H

left guillotine horizontal






-  11,0 kW
-  5,5 - 14,0 kW
-  83 %
-  440-720 cm<sup>2</sup>
-  770-880 cm<sup>2</sup>

**A<sup>+</sup>**

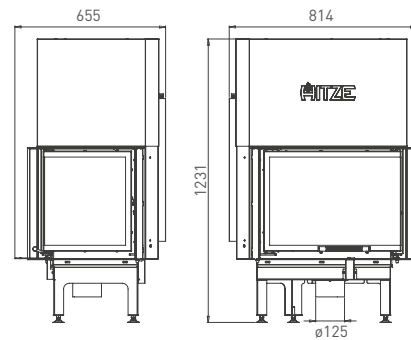


### Albero AL11RG.H

right guillotine horizontal

-  11,0 kW
-  5,5 - 14,0 kW
-  83 %
-  440-720 cm<sup>2</sup>
-  770-880 cm<sup>2</sup>

**A<sup>+</sup>**








# ALBERO 14

SYSTEM CUSTOM

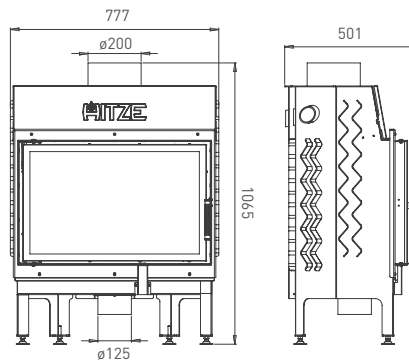


## Albero AL14S.H

standard horizontal






-  14,0 kW
-  7,0 - 18,0 kW
-  83 %
-  560-910 cm<sup>2</sup>
-  980-1120 cm<sup>2</sup>

**A<sup>+</sup>**

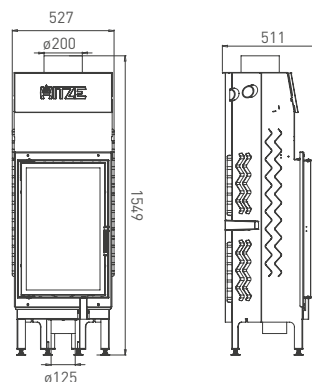


## Albero AL14S.V

standard vertical






-  14,0 kW
-  7,0 - 18,0 kW
-  83 %
-  560-910 cm<sup>2</sup>
-  980-1120 cm<sup>2</sup>

**A<sup>+</sup>**

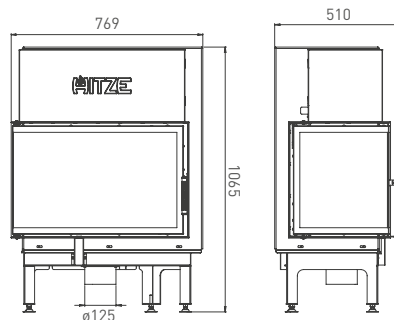


## Albero AL14L.H

left horizontal






-  14,0 kW
-  7,0 - 18,0 kW
-  83 %
-  560-910 cm<sup>2</sup>
-  980-1120 cm<sup>2</sup>

**A<sup>+</sup>**

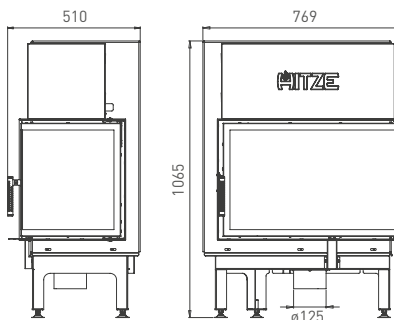


## Albero AL14R.H

right horizontal

-  14,0 kW
-  7,0 - 18,0 kW
-  83 %
-  560-910 cm<sup>2</sup>
-  980-1120 cm<sup>2</sup>

**A<sup>+</sup>**










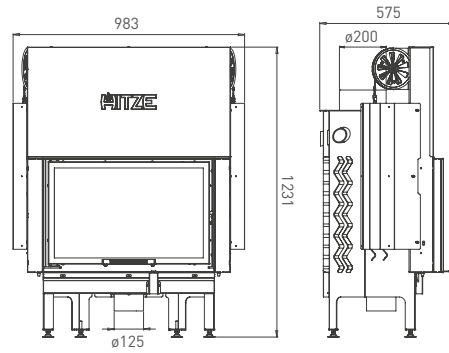


### Albero AL14G.H

guillotine horizontal






-  14,0 kW
-  7,0 - 18,0 kW
-  83 %
-  560-910 cm<sup>2</sup>
-  980-1120 cm<sup>2</sup>

**A+**

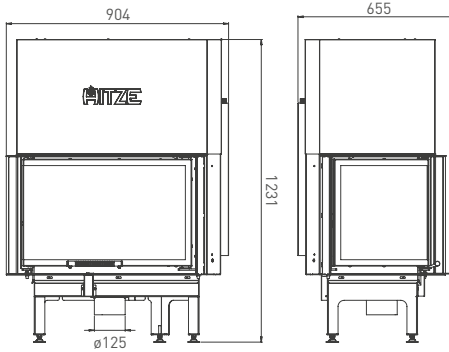


### Albero AL14LG.H

left guillotine horizontal






-  14,0 kW
-  7,0 - 18,0 kW
-  83 %
-  560-910 cm<sup>2</sup>
-  980-1120 cm<sup>2</sup>

**A+**

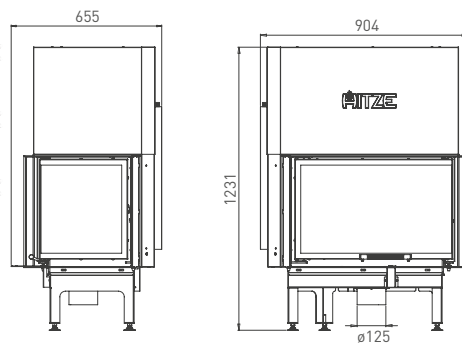


### Albero AL14RG.H

right guillotine horizontal

-  14,0 kW
-  7,0 - 18,0 kW
-  83 %
-  560-910 cm<sup>2</sup>
-  980-1120 cm<sup>2</sup>

**A+**








# ALBERO 16

SYSTEM CUSTOM

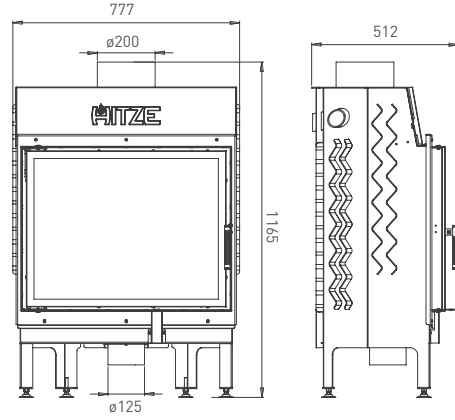


## Albero AL16S.H

standard horizontal






-  16,0 kW
-  8,0 - 20,0 kW
-  80 %
-  640-1140 cm<sup>2</sup>
-  1120-1280 cm<sup>2</sup>

**A+**

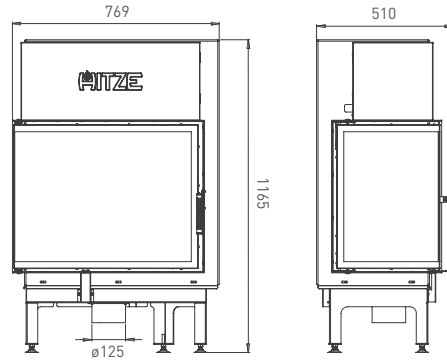


## Albero AL16L.H

left horizontal






-  16,0 kW
-  8,0 - 20,0 kW
-  80 %
-  640-1040 cm<sup>2</sup>
-  1120-1280 cm<sup>2</sup>

**A+**

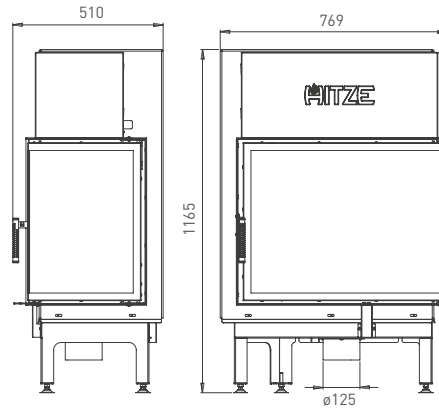


## Albero AL16R.H

right horizontal

-  16,0 kW
-  8,0 - 20,0 kW
-  80 %
-  640-1040 cm<sup>2</sup>
-  1120-1280 cm<sup>2</sup>






**A+**



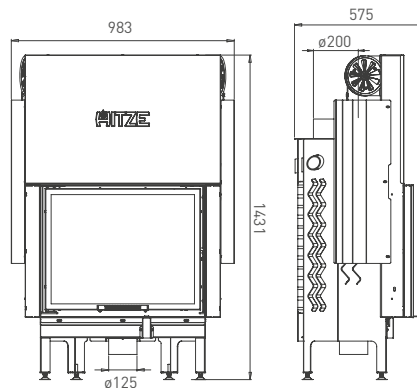


### Albero AL16G.H

guillotine horizontal






-  16,0 kW
-  8,0 - 20,0 kW
-  80 %
-  640-1040 cm<sup>2</sup>
-  1120-1280 cm<sup>2</sup>

**A<sup>+</sup>**

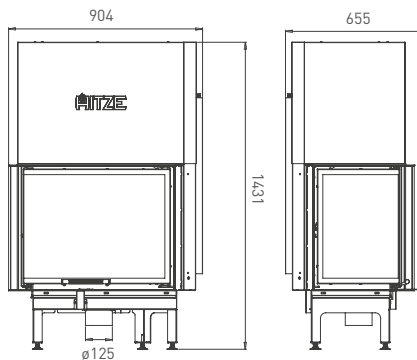


### Albero AL16LG.H

left guillotine horizontal






-  16,0 kW
-  8,0 - 20,0 kW
-  80 %
-  640-1040 cm<sup>2</sup>
-  1120-1280 cm<sup>2</sup>

**A<sup>+</sup>**

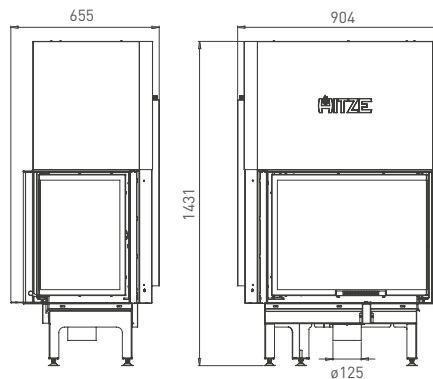


### Albero AL16RG.H

right guillotine horizontal

-  16,0 kW
-  8,0 - 20,0 kW
-  80 %
-  640-1040 cm<sup>2</sup>
-  1120-1280 cm<sup>2</sup>

**A<sup>+</sup>**



See page 20 for the meaning of the icons used.

# ALBERO 19

SYSTEM CUSTOM

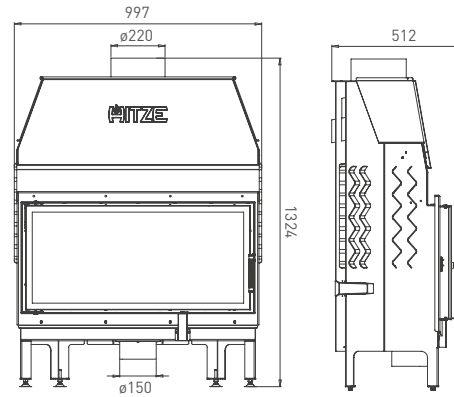


## Albero AL19S.H

standard horizontal

- 19,0 kW
- 9,5 - 24,0 kW
- 81 %
- 760-1240 cm<sup>2</sup>
- 1330-1520 cm<sup>2</sup>

**A+**

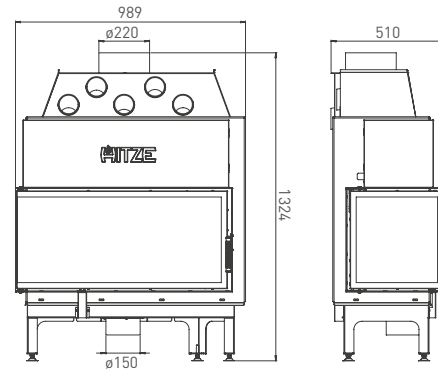


## Albero AL19L.H

left horizontal

- 19,0 kW
- 9,5 - 24,0 kW
- 81 %
- 760-1240 cm<sup>2</sup>
- 1330-1520 cm<sup>2</sup>

**A+**

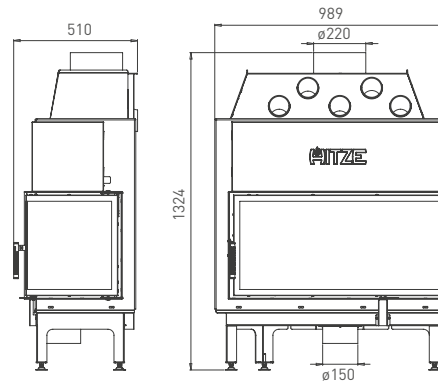


## Albero AL19R.H

right horizontal






- 19,0 kW
- 9,5 - 24,0 kW
- 81 %
- 760-1240 cm<sup>2</sup>
- 1330-1520 cm<sup>2</sup>

**A+**

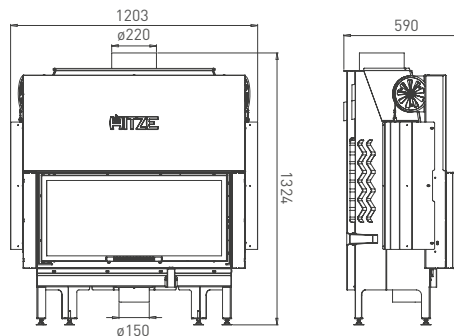









**Albero AL19G.H**  
guillotine horizontal

-  19,0 kW
-  9,5 - 24,0 kW
-  81 %
-  760-1240 cm<sup>2</sup>
-  1330-1520 cm<sup>2</sup>

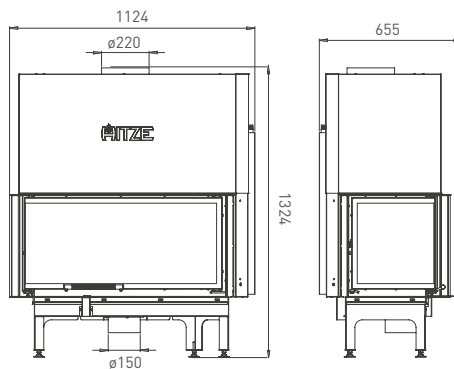
**A<sup>+</sup>**








**Albero AL19LG.H**  
left guillotine horizontal

-  19,0 kW
-  9,5 - 24,0 kW
-  81 %
-  760-1240 cm<sup>2</sup>
-  1330-1520 cm<sup>2</sup>

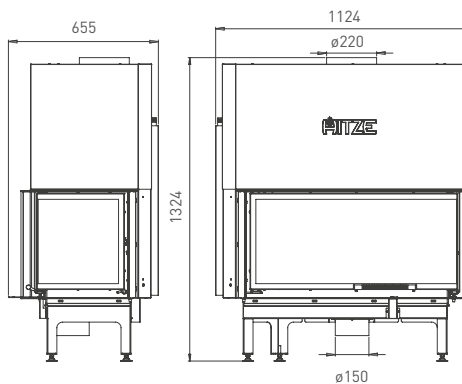
**A<sup>+</sup>**



**Albero AL19RG.H**  
right guillotine horizontal

-  19,0 kW
-  9,5 - 24,0 kW
-  81 %
-  760-1240 cm<sup>2</sup>
-  1330-1520 cm<sup>2</sup>

**A<sup>+</sup>**








# ALBERO 25

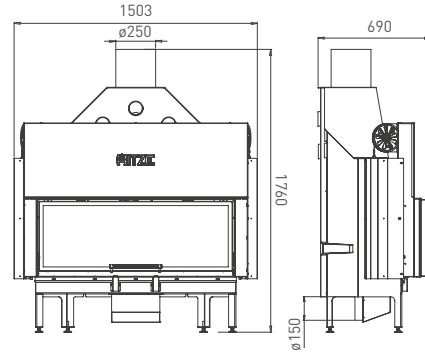
SYSTEM CUSTOM



**Albero AL120x43G.H**  
guillotine horizontal

-  25,0 kW
-  12,5 - 32,5 kW
-  80 %
-  1000-1630 cm<sup>2</sup>
-  1750-2000 cm<sup>2</sup>

**A+**



**ENTER THE WORLD OF HITZE.**

*The world of natural heating.*




# INSTALLATION ACCESSORIES:


## HEAT EXCHANGERS



**WCPW01.Fi200**  
**WCPW01Fi180**  
heat exchanger  
with water jacket

material:  
boiler steel 3 mm


 < 7 kW


 < 7 kW



**WCPW01w.Fi200**  
**WCPW01wFi180**  
heat exchanger with water  
jacket and coil pipe

material:  
boiler steel 3 mm


 < 7 kW

 < 7 kW



**WCPW02.Fi200**  
heat exchanger  
with water jacket and  
tubes


material:  
boiler steel 4 mm


 < 10 kW



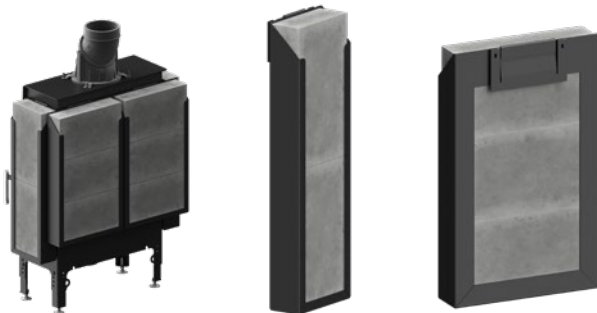
**WCPP01.Fi200**  
**WCPP01Fi180**  
air heat exchange

material:  
boiler steel 3 mm

 < 7 kW

 < 7 kW

## ACCUMULATION SET



For the lines:  
ALBERO, ALBERO AQUASYSTEM, ARDENTE, STMA

**Block weight: 14,5 kg**

## ADDITIONAL FEET



For the lines:  
ALBERO, ALBERO AQUASYSTEM, STMA, ARDENTE

# VENTILATION GRIDS

## DECCO

Available in various colors and sizes.  
Material: steel with a thickness of 1.5 mm.  
Mounting frame included.



DECCO  
size: 20 x 20 cm  
KDC-20x20-W

DECCO  
size: 20 x 30 cm  
KDC-20x30-W

DECCO  
size: 20 x 40 cm  
KDC-20x40-W

DECCO  
size: 20 x 50 cm  
KDC-20x50-W

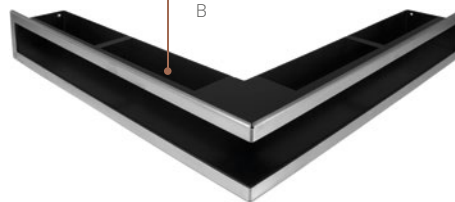
## SLIM

Available in various shapes and sizes.  
Shapes: straight and corner  
Material: steel with a thickness of 1.5 mm



## SLIM INOX

Available in various shapes and sizes.  
Base colors: black  
Finish: stainless steel, polished  
Shapes: straight and corner  
Material: steel with a thickness of 1.5 mm



# FIREPLACE PERSONALIZATION

## STANDARD OPENING



INOX VENT



INOX VENT  
PORTAL



BLACK VENT



BLACK VENT  
PORTAL



BLACK BASIC

## GUILLOTINE OPENING (available in 5 sizes)



INOX VENT G

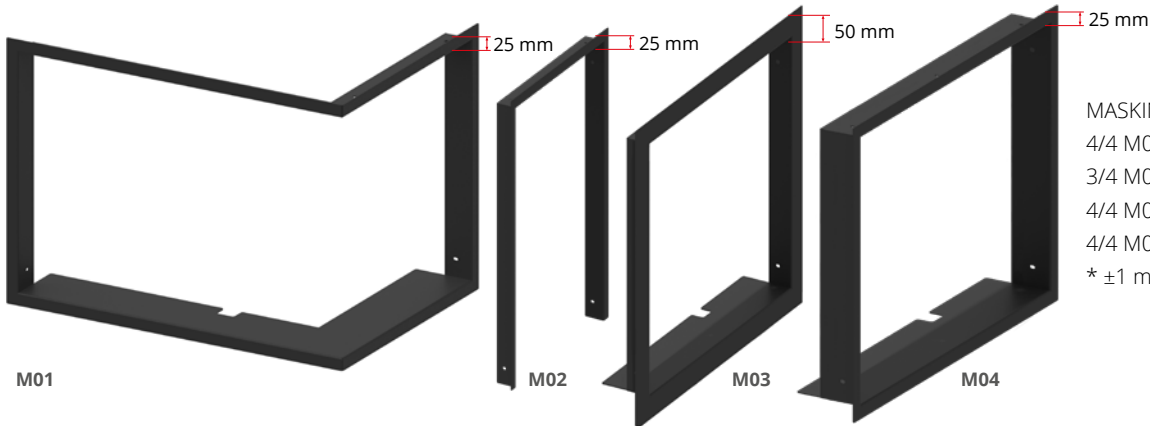


BLACK VENT G



BLACK MINIMAL G

## MASKING FRAMES



MASKING FRAMES:

4/4 M01 - 25 mm

3/4 M02 - 25 mm

4/4 M03 - 50 mm

4/4 M04 - 25 mm / depth 79 mm\*

\*  $\pm 1$  mm depending on the model

## GLASS BASES



### BASE 01

Dimensions (mm) 515 x 350

### BASE 02

Dimensions (mm) 1067 x 1260

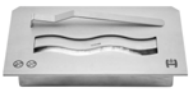
Material: tempered glass

## BLACK CERAMIC CONCRETE INSERT

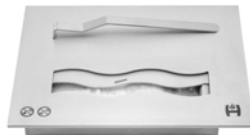
available for all models



## BIO-INSERTS



Bio-insert **SMALL** WBN-04  
capacity: 0,6 l



Bio-insert **MEDIUM** WBN-02  
capacity: 1 l



Bio-insert **LARGE** WBN-03  
capacity: 1,6 l





# Technical data

---

## ALBERO 9

ALBERO 9	AL9S.H	AL9S.V	AL9G.H	AL9L.H/R.H	AL9LG.H/RG.H
Nominal power [kW]	9,0	9,0	9,0	9,0	9,0
Heating load range [kW]	4,5-12,0	4,5-12,0	4,5-12,0	4,5-12,0	4,5-12,0
Thermal efficiency [%]	78	78	78	78	78
CO emission (at 13%O <sub>2</sub> ) [g/m <sup>3</sup> ]	0,818	1,029	0,818	0,818	0,818
CO emission (at 13%O <sub>2</sub> ) [%]	0,0654	0,082	0,0654	0,0654	0,0654
Dust emission [g/m <sup>3</sup> ]	0,036	0,030	0,036	0,036	0,036
Average fuel consumption [kg/h]	3	3	3	3	3
Recommended active area of outlet grids [cm <sup>2</sup> ]	630-720	630-720	630-720	630-720	630-720
Recommended active area of inlet grids [cm <sup>2</sup> ]	360-590	360-590	360-590	360-590	360-590
Dimensions of the glass [mm]	545x390	390x545	545x390	545x390x325	545x390x325
External dimensions [mm]	642x1009x448	487x1164x446	848x1206x520	636x1009x443	769x1206x605
Diameter of the flue [mm]	180	180	180	180	180
Inlet diameter [mm]	125	125	125	125	125
Maximum log length [mm]	350	300	350	350	350
Weight of the insert [kg]	112	110	160	112	164
Masking frame 4/4	FAL9S.H-M01	FAL9S.V-M01	FAL9G.H-M01	FAL9L.H-M01 FAL9R.H-M01	FAL9LG.H-M01 FAL9RG.H-M01
Portal frame	FAL9S.H-RP01	FAL9S.V-RP01	FAL9G.H-RP01	-	-
Efficiency coefficient	104,1	104,1	104,1	104,1	104,1
Energy class	A	A	A	A	A

## ALBERO 11

ALBERO 11	AL11S.H	AL11S.V	AL11G.H	AL11L.H/R.H	AL11LG.H/RG.H
Nominal power [kW]	11,0	11,0	11,0	11,0	11,0
Heating load range [kW]	5,5-14,0	5,5-14,0	5,5-14,0	5,5-14,0	5,5-14,0
Thermal efficiency [%]	83	84	83	83	83
CO emission (at 13%O <sub>2</sub> ) [g/m <sup>3</sup> ]	1,243	1,205	1,243	1,243	1,243
CO emission (at 13%O <sub>2</sub> ) [%]	0,0994	0,0964	0,0994	0,0994	0,0994
Dust emission [g/m <sup>3</sup> ]	0,038	0,031	0,038	0,038	0,031
Average fuel consumption [kg/h]	3	3	3	3	3
Recommended active area of outlet grids [cm <sup>2</sup> ]	770-880	770-880	770-880	770-880	770-880
Recommended active area of inlet grids [cm <sup>2</sup> ]	440-720	440-720	440-720	440-720	440-720
Dimensions of the glass [mm]	590x430	430x590	590x430	590x430x375	590x430x375
External dimensions [mm]	687x1064x506	527x1209x511	893x1231x580	679x1064x510	814x1231x655
Diameter of the flue [mm]	200	200	200	200	200
Inlet diameter [mm]	125	125	125	125	125
Maximum log length [mm]	350	300	350	350	350
Weight of the insert [kg]	132	127	184	132	183
Masking frame 4/4	FAL11S.H-M01	FAL11S.V-M01	FAL11G.H-M01	FAL11L.H-M01 FAL11R.H-M01	FAL11LG.H-M01 FAL11RG.H-M01
Portal frame	FAL11S.H-RP01	FAL11S.V-RP01	FAL11G.H-RP01	-	-
Efficiency coefficient	111,4	112,8	111,4	111,4	111,4
Energy class	A <sup>+</sup>	A <sup>+</sup>	A <sup>+</sup>	A <sup>+</sup>	A <sup>+</sup>



## ALBERO 14

ALBERO 14	AL14S.H	AL14S.V	AL14G.H	AL14L.H/R.H	AL14LG.H/RG.H
Nominal power [kW]	14,0	14,0	14,0	14,0	14,0
Heating load range [kW]	7,0-18,0	7,0-18,0	7,0-18,0	7,0-18,0	7,0-18,0
Thermal efficiency [%]	83	84	83	83	83
CO emission (at 13%O <sub>2</sub> ) [g/m <sup>3</sup> ]	0,845	1,2	0,845	0,845	0,845
CO emission (at 13%O <sub>2</sub> ) [%]	0,0676	0,0961	0,0676	0,0676	0,0676
Dust emission [g/m <sup>3</sup> ]	0,032	0,038	0,032	0,032	0,032
Average fuel consumption [kg/h]	4	4	4	4	4
Recommended active area of outlet grids [cm <sup>2</sup> ]	980-1120	980-1120	980-1120	980-1120	980-1120
Recommended active area of inlet grids [cm <sup>2</sup> ]	560-910	560-910	560-910	560-910	560-910
Dimensions of the glass [mm]	680x430	680x430	680x430	680x430x375	680x430x375
External dimensions [mm]	777x1065x501	527x1549x511	983x1231x575	769x1065x510	904x1231x655
Diameter of the flue [mm]	200	200	200	200	200
Inlet diameter [mm]	125	125	125	125	125
Maximum log length [mm]	500	500	500	500	500
Weight of the insert [kg]	150	150	200	153	215
Masking frame 4/4	FAL14S.H-M01	FAL14S.V-M01	FAL14G.H-M01	FAL11L.H-M01 FAL11R.H-M01	FAL11LG.H-M01 FAL11RG.H-M01
Portal frame	FAL14S.H-RP01	FAL14S.V-RP01	FAL14G.H-RP01	-	-
Efficiency coefficient	111,4	111,4	111,4	111,4	111,4
Energy class	A <sup>+</sup>	A <sup>+</sup>	A <sup>+</sup>	A <sup>+</sup>	A <sup>+</sup>

## ALBERO 16

ALBERO 16	AL16S.H	AL16G.H	AL16L.H/R.H	AL16LG.H/RG.H
Nominal power [kW]	16,0	16,0	16,0	16,0
Heating load range [kW]	8,0-20,0	8,0-20,0	8,0-20,0	8,0-20,0
Thermal efficiency [%]	80	80	80	80
CO emission (at 13%O <sub>2</sub> ) [g/m <sup>3</sup> ]	0,786	0,786	0,786	0,786
CO emission (at 13%O <sub>2</sub> ) [%]	0,0629	0,0629	0,0629	0,0629
Dust emission [g/m <sup>3</sup> ]	0,033	0,033	0,033	0,033
Average fuel consumption [kg/h]	5	5	5	5
Recommended active area of outlet grids [cm <sup>2</sup> ]	1120-1280	1120-1280	1120-1280	1120-1280
Recommended active area of inlet grids [cm <sup>2</sup> ]	640-1040	640-1040	640-1040	640-1040
Dimensions of the glass [mm]	680x530	680x530	680x530x375	680x530x375
External dimensions [mm]	777x1165x512	983x1431x575	769x1165x510	904x1431x655
Diameter of the flue [mm]	200	200	200	200
Inlet diameter [mm]	125	125	125	125
Maximum log length [mm]	500	500	500	500
Weight of the insert [kg]	162	228	157	217
Masking frame 4/4	FAL16S.H-M01	FAL16G.H-M01	FAL16L.H-M01 FAL16R.H-M01	FAL16LG.H-M01 FAL16RG.H-M01
Portal frame	FAL16S.H-RP01	FAL16G.H-RP01	-	-
Efficiency coefficient	107,0	107,0	107,0	107,0
Energy class	A <sup>+</sup>	A <sup>+</sup>	A <sup>+</sup>	A <sup>+</sup>

## ALBERO 19 and 25

ALBERO 19	AL19S.H	AL19G.H	AL19L.H/R.H	AL19LG.H/RG.H	AL120x43G.H
Nominal power [kW]	19,0	19,0	19,0	19,0	25,0
Heating load range [kW]	9,5-24,0	9,5-24,0	9,5-24,0	9,5-24,0	12,5-32,5
Thermal efficiency [%]	81	81	81	81	80
CO emission (at 13%O <sub>2</sub> ) [g/m <sup>3</sup> ]	1,200	1,200	1,200	1,200	1,215
CO emission (at 13%O <sub>2</sub> ) [%]	0,096	0,096	0,096	0,096	0,0972
Dust emission [g/m <sup>3</sup> ]	0,029	0,029	0,029	0,029	0,028
Average fuel consumption [kg/h]	6	6	6	6	8
Recommended active area of outlet grids [cm <sup>2</sup> ]	1330-1520	1330-1520	1330-1520	1330-1520	1750-2000
Recommended active area of inlet grids [cm <sup>2</sup> ]	760-1240	760-1240	760-1240	760-1240	1000-1630
Dimensions of the glass [mm]	900x415	900x415	900x415x375	900x415x375	1200x430
External dimensions [mm]	997x1324x512	1203x1324x590	989x1324x510	1124x1324x655	1503x1760x690
Diameter of the flue [mm]	220	220	220	220	250
Inlet diameter [mm]	150	150	150	150	150
Maximum log length [mm]	500	500	500	500	800
Weight of the insert [kg]	183	262	206	275	431
Masking frame 4/4	FAL19S.H-M01	FAL19G.H-M01	FAL16L.H-M01 FAL16R.H-M01	FAL19LG.H-M01 FAL19RG.H-M01	-
Portal frame	FAL19S.H-RP01	FAL19G.H-RP01	-	-	-
Efficiency coefficient	108,5	108,5	108,5	108,5	107,0
Energy class	A <sup>+</sup>	A <sup>+</sup>	A <sup>+</sup>	A <sup>+</sup>	A <sup>+</sup>

## MEANING OF THE ICONS USED:



Nominal power



Heating load range



Thermal efficiency



Recommended active area of outlet grids



Recommended active area of inlet grids



Dimensions






[www.hitze.pl](http://www.hitze.pl)



STALKO  
spółka z ograniczoną odpowiedzialnością  
spółka komandytowa  
ul. Solec 24/253  
00-403 Warszawa, Poland

Office:  
Gdyńska 32  
26-600 Radom  
Poland

 +48 48 380 18 98  
+48 800 88 00 30

 [handlowy@hitze.stalko.com](mailto:handlowy@hitze.stalko.com)  
[export@hitze.stalko.com](mailto:export@hitze.stalko.com)

NIP 9482603545  
REGON 361379132  
Reg. No. 0000836475

RAL colours presented on product visualisations are for reference only and their shades may slightly differ from the real colour.

The company reserves the right to introduce changes in the technical parameters, equipment and specifications of the offered products. The information in the catalog is for information purposes only and does not constitute an offer within the meaning of the Civil Code.